



Level



Pressure



Flow



Temperature



Analytics



Registration



Systems
Components



Services



Solutions

Technical Information

Memosens measuring cable and installation accessories

CYK10 / CYK11



Application

Measuring cable for all Memosens sensors and sensors with Memosens technology for nearly all parts of process engineering.

- The Memosens data cable CYK10 is used with sensors utilizing the contactless inductive signal transmission.
- The Memosens extension cable CYK11 is used for the connection of digital fixed-cable sensors with Memosens protocol. The following versions are available: Ferrule with ferrule, M12 female connector with ferrule and M12 female connector with M12 plug. CYK10 based installations can also be extended with CYK11.
- CYK10 and CYK11 can be extended with junction boxes.
- CYK10 available in versions for use in hazardous areas

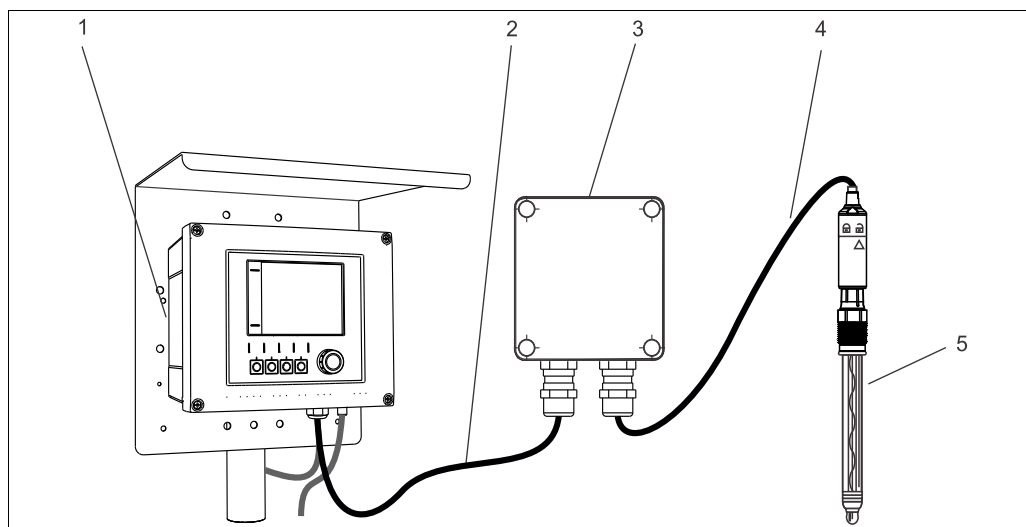
Your benefits

- Memosens data cable CYK10
 - Absolute waterproof connection (ingress protection IP 68)
 - No corrosion of contacts
 - No influence of interfering potentials thanks to galvanic isolation of transmitter and medium
- Memosens extension cable CYK11
 - Absolute waterproof connection (ingress protection IP 68)
 - Flexible and fast in application



Function and system design

Measuring system



a0018829

Measuring system

- 1 Transmitter
- 2 Memosens extension cable CYK11 (optional)
- 3 Junction box (optional)
- 4 Memosens data cable CYK10 or fixed cable
- 5 Sensor

Memosens

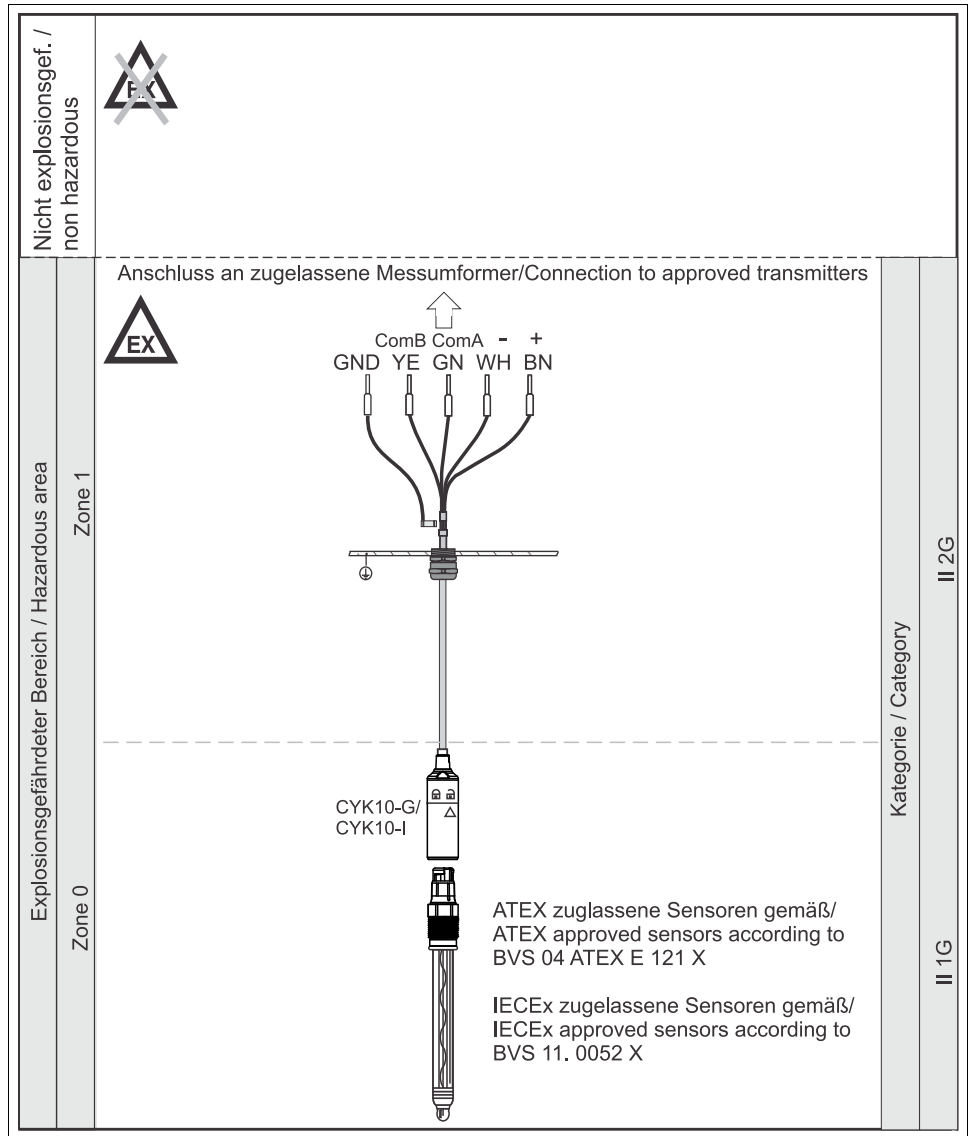
Memosens makes your measuring point safer and more reliable:

- Non-contact, digital signal transmission enables optimum galvanic isolation
- No contact corrosion
- Completely watertight
- Laboratory sensor calibration possible, thus increasing measured value availability
- Predictive maintenance thanks to recording of sensor data, e.g.:
 - Total hours of operation
 - Hours of operation with very high or very low measured values
 - Hours of operation with high temperatures
 - Number of steam sterilizations
 - Sensor condition



a0013430

Connection in explosion-hazardous areas



Connection in explosion-hazardous areas

20018789

- It is not allowed to use CYK11 as an extension for CYK10-based measuring system in hazardous areas. For hazardous areas it is recommended to use continuous and not extended Memosens measuring cable CYK10.

Cable specification

| | CYK10 | CYK11 |
|-------------------------|---------|---------|
| Conductor/Construction | 4 cores | 6 cores |
| Outer diameter (mm) | 6,3 | 6,3 |
| Shielding | Yes | Yes |
| Bending radius solid | 5xD | 5xD |
| Bending radius flexible | 10xD | 10xD |

Performance characteristics

Resistance

| | CYK10 | CYK11 |
|------------------------------------|-------|-------|
| UV resistant | Yes | Yes |
| Clear of ozon-depleting substances | Yes | Yes |
| Halogen-free | No | Yes |
| RoHs-compliant | Yes | Yes |
| Flame-resistant | Yes | Yes |
| Oil-resistant | - | Yes |

Environment

Ambient temperature range

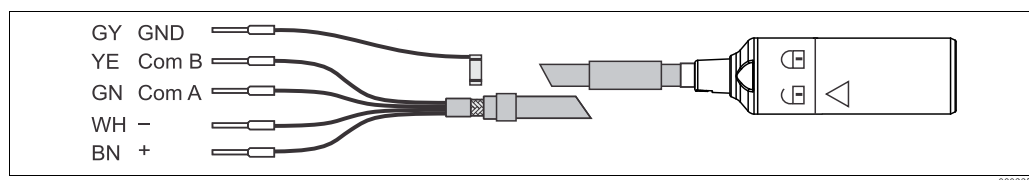
| | CYK10 | CYK11 |
|------------------|-----------------|-----------------|
| Temperature min. | -25 °C (-13 °F) | -30 °C (-22 °F) |
| Temperature max. | 135 °C (277 °F) | 90 °C (194 °F) |

Degree of protection

- Memosens data cable CYK10: IP 68 (Memosens: 1 bar (15 psi), 25 °C (77 °F), 1 mol/l KCl, 45 days; M12: 0.1 bar (2 psi), 50 °C (131 °F), 3 mol/l KCl, 30 days)
- Memosens extension cable CYK11: IP 68 (M12: 0.1 bar (2 psi), 50 °C (131 °F), 3 mol/l KCl, 30 days) in mated condition

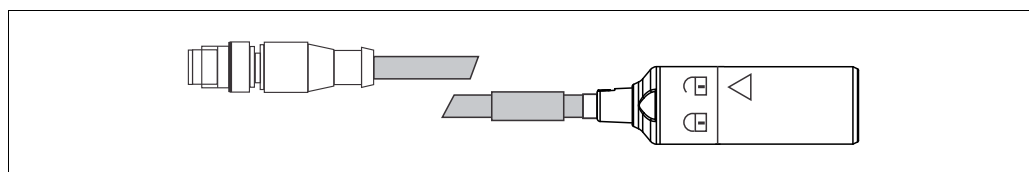
Mechanical construction: Measuring cable for digital sensors

CYK10 for digital sensors with Memosens technology



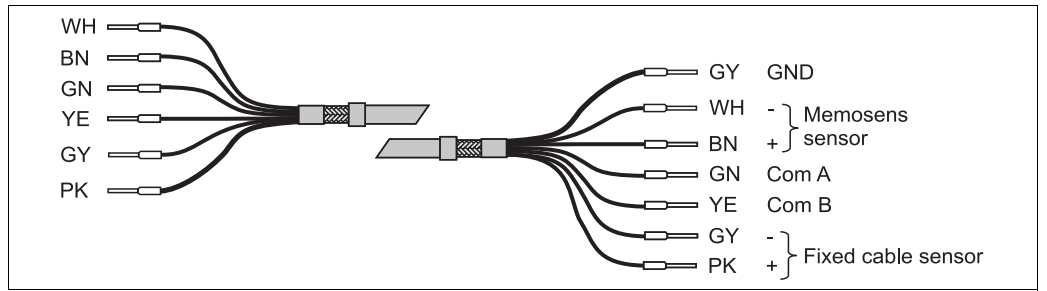
Instead of GY you can also ground over the cable clamp in the transmitter.

CYK10 with M12 plug



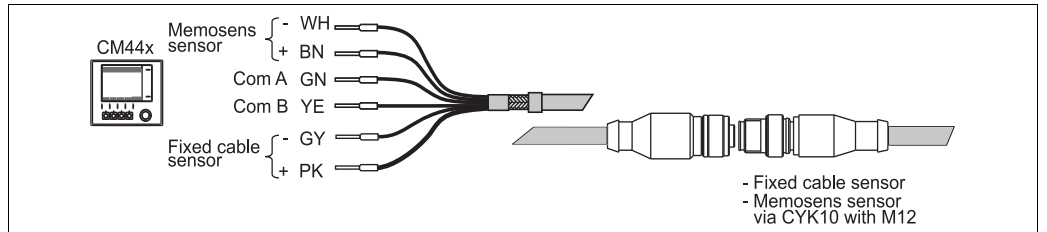
CYK11

CYK11 with ferrules



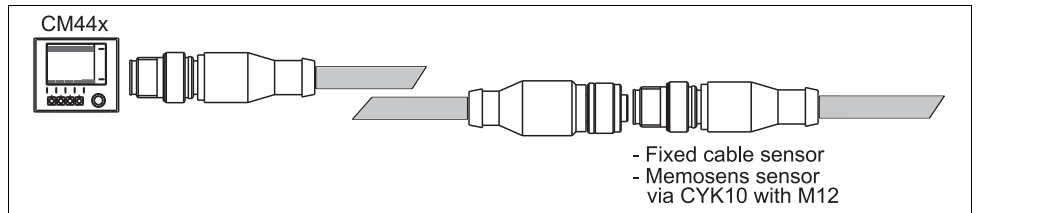
a0015715-en

CYK11 with ferrule and M12 female connector

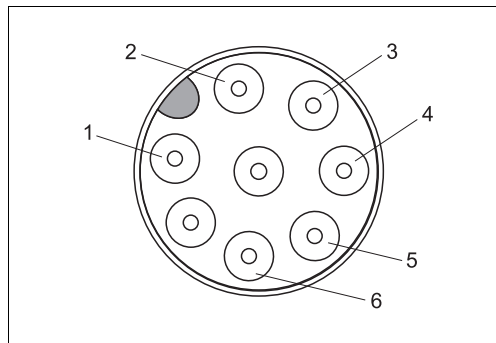


a0015716-en

CYK11 with M12 plug and M12 female connector



a0016506-en



a0016913

Assignment M12 plug

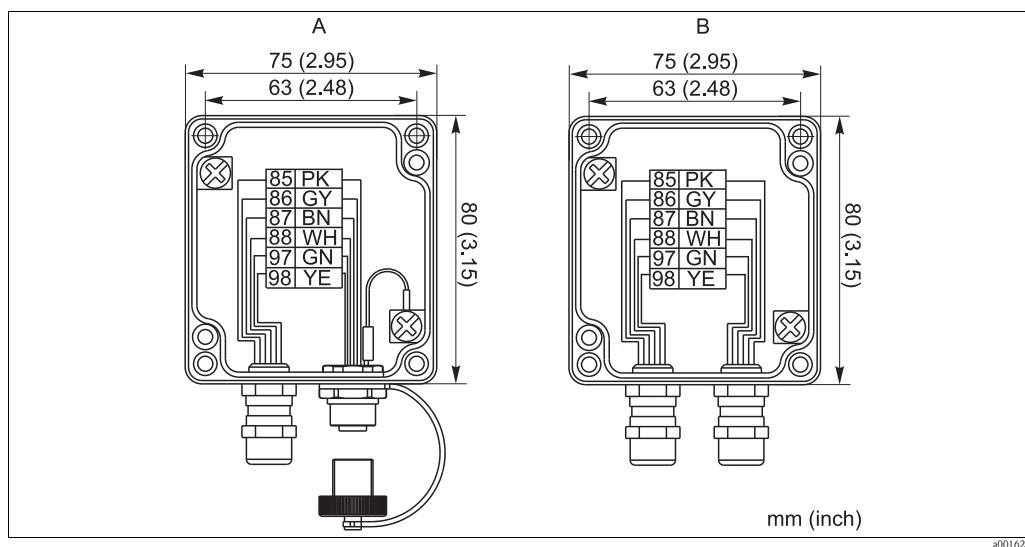
- 1 $V_{Fixed\ cable\ sensor} (+24\ V)$ (PK)
- 2 $GND_{Fixed\ cable\ sensor}$ (GY)
- 3 $V_{Memosens\ sensor}$ (BN)
- 4 $GND_{Memosens\ sensor}$ (WH)
- 5 RS 485 A (GN)
- 6 RS 485 B (YE)

Material CYK10 and CYK11

| | CYK10 | CYK11 |
|--------------|-------|-------|
| Cable sheath | TPE | TPE |

Mechanical construction: Plug and junction box

CYK11 junction box



Variants of CYK11 junction box

A Junction box M12 connector/cable

B Junction box cable/cable

Material

Junction box: aluminum

Certificates and approvals

CE mark

Declaration of Conformity

The product meets the requirements of harmonized European standards. It therefore meets the legal specifications of EU guidelines. The manufacturer confirms that the product has been successfully tested by applying the 4 mark.

Ex approval

CYK10-Ga, a = 1, 2**

CYK10-Ia, a = 1, 2**

■ **IECEX**

Ex ia IIC T3/T4/T6 Ga

■ **ATEX**

⊕ II 1G Ex ia IIC T3/T4/T6 Ga

■ **FM/CSA**

IS/NI CLI Div1&2 GP ABCD

■ **Nepsi**

II 1G Ex ia IIC T3/T4/T6 Ga

Ordering information

Product structure

You can create a valid and complete order code using the Endress + Hauser Configurator tool on the Internet.

Enter the following addresses in your browser to access the relevant product page:

www.products.endress.com/cyk10

www.products.endress.com/cyk11

1. The following options are available on the right-hand side of the page:

| Product page function |
|------------------------------|
| :: Add to product list |
| :: Price & order information |
| :: Compare this product |
| :: Configure this product |

2. Select "Configure this product".
 3. A new window opens with the Configurator. Using this tool, you can configure your device and you will receive a valid and complete order code for this.
 4. Then export the order code as a PDF or as an Excel file selecting from the buttons provided at the top of the page.
-

Junction box

Junction box M12 connector/cable

- Material: aluminum, painted
- Cable extension: Memosens sensors, Liquiline
- Order no. 71145498

Junction box cable/cable

- Material: aluminum, painted
- Cable extension: Memosens sensors, Liquiline
- Order no. 71145499

Instruments International

Endress+Hauser
Instruments International AG
Kaegenstrasse 2
4153 Reinach
Switzerland

Tel.+41 61 715 81 00
Fax+41 61 715 25 00
www.endress.com
info@ii.endress.com

Endress+Hauser 
People for Process Automation