

# Technical Information

## Nivotester FTL325N

Vibronic

Level detector with NAMUR input for connecting any NAMUR sensor



### Application

- Point level detection in liquid tanks and bulk solids silos, also in hazardous areas
- For sensors in Zone 0 or Zone 20
- Liquid detection in pipes for dry-run protection of pumps
- Overfill prevention in tanks with flammable or non-flammable water-polluting liquids
- Two-point control and point level detection in one switching unit
- Application in safety systems with functional safety requirements up to SIL 2 in accordance in IEC 61508 when using the Liquiphant M/S with electronic insert FEL56 and FEL58 or Soliphant M with electronic insert FEM58

### Your benefits

- Intrinsically safe signal circuits [Ex ia] for use of sensors in hazardous areas
- Compact housing for simple side-by-side installation on standard DIN rails in cabinet
- Easy connection with plug-in terminal blocks
- NAMUR interface according to IEC/EN 60947-5-6 for connecting NAMUR sensors or electronic inserts



## Table of contents

|  |           |  |           |
|--|-----------|--|-----------|
| <b>Document information</b> . . . . .                | <b>3</b>  | Other standards and guidelines . . . . .     | 16        |
| Document conventions . . . . .                       | 3         | Functional safety . . . . .                  | 16        |
| <b>Function and system design</b> . . . . .          | <b>3</b>  | <b>Ordering information</b> . . . . .        | <b>16</b> |
| Measuring principle . . . . .                        | 3         | <b>Accessories</b> . . . . .                 | <b>17</b> |
| NAMUR interface . . . . .                            | 3         | Protective housing . . . . .                 | 17        |
| Measuring system . . . . .                           | 5         | <b>Supplementary documentation</b> . . . . . | <b>17</b> |
| <b>Input</b> . . . . .                               | <b>9</b>  | Operating Instructions . . . . .             | 17        |
| Measured variable . . . . .                          | 9         | Technical Information . . . . .              | 17        |
| Measuring range . . . . .                            | 9         | Functional safety (SIL) . . . . .            | 17        |
| Input signal . . . . .                               | 9         | WHG . . . . .                                | 17        |
| <b>Output</b> . . . . .                              | <b>9</b>  | Certificate . . . . .                        | 18        |
| Output signal . . . . .                              | 9         |  |           |
| Overvoltage category according to EN 61010 . . . . . | 9         |  |           |
| Protection class . . . . .                           | 9         |  |           |
| Signal on alarm . . . . .                            | 9         |  |           |
| Galvanic isolation . . . . .                         | 9         |  |           |
| <b>Power supply</b> . . . . .                        | <b>10</b> |  |           |
| Electrical connection . . . . .                      | 10        |  |           |
| Supply voltage . . . . .                             | 10        |  |           |
| Power consumption . . . . .                          | 10        |  |           |
| <b>Performance characteristics</b> . . . . .         | <b>10</b> |  |           |
| Switch-on behavior . . . . .                         | 10        |  |           |
| <b>Installation</b> . . . . .                        | <b>11</b> |  |           |
| Mounting location . . . . .                          | 11        |  |           |
| Orientation . . . . .                                | 11        |  |           |
| <b>Environment</b> . . . . .                         | <b>12</b> |  |           |
| Ambient temperature range . . . . .                  | 12        |  |           |
| Climate and mechanical application class . . . . .   | 12        |  |           |
| Degree of protection . . . . .                       | 12        |  |           |
| Electromagnetic compatibility (EMC) . . . . .        | 12        |  |           |
| <b>Mechanical construction</b> . . . . .             | <b>13</b> |  |           |
| Design, dimensions . . . . .                         | 13        |  |           |
| Weight . . . . .                                     | 13        |  |           |
| Materials . . . . .                                  | 13        |  |           |
| Terminals . . . . .                                  | 13        |  |           |
| <b>Operability</b> . . . . .                         | <b>15</b> |  |           |
| Operating concept . . . . .                          | 15        |  |           |
| Display elements . . . . .                           | 15        |  |           |
| Operating elements . . . . .                         | 15        |  |           |
| <b>Certificates and approvals</b> . . . . .          | <b>16</b> |  |           |
| CE mark . . . . .                                    | 16        |  |           |
| RCM-Tick mark . . . . .                              | 16        |  |           |
| Ex approval . . . . .                                | 16        |  |           |
| Type of protection . . . . .                         | 16        |  |           |
| Overfill prevention . . . . .                        | 16        |  |           |

## Document information

### Document conventions

#### Symbols for certain types of information

| Symbol  | Meaning  |
|---|--|
|  | <b>Tip</b><br>Indicates additional information.                      |
|  | <b>Reference to page</b><br>Refers to the corresponding page number. |

#### Symbols for graphics

| Symbol       | Meaning      |
|--------------|--------------|
| 1, 2, 3 ...  | Item numbers |
| A, B, C, ... | Views        |

## Function and system design

### Measuring principle

#### Signal transmission

The intrinsically safe signal inputs of the Nivotester are galvanically isolated from the mains and the output.

The Nivotester supplies a DC current to the sensors or to sensors specified to IEC/EN 60947-5-6 via a two-wire loop. Examples of the sensors include Liquiphant M/S with electronic insert FEL56 or FEL58 and Soliphant M with electronic insert FEM58. At the same time, a control current is transferred along this power supply line. The control current range: < 1.2 mA and > 2.1 mA depending on the switching status.

#### Signal evaluation

The Nivotester measures the control current which is transferred along the sensor power supply line and evaluates it. The relay for the level alarm switches when the sensor is covered or not covered. A yellow LED on the front panel of the Nivotester signals the relay switching state. A red LED signals faults, e.g. a short circuit or cable open circuit.

#### Fail-safe mode

By selecting the correct fail-safe mode, you ensure that the relays always operate with quiescent current safety.

The error current signal of the connected sensor (< 1.2 mA and > 2.1 mA) can be set for each channel with the DIL switches on the Nivotester. This means that the Nivotester can be used for any application at the required level of operational safety. Combined with a sensor, quiescent current safety is defined as follows:

- MAX = maximum safety: the relay drops out when the switch point is exceeded (sensor is covered), a fault occurs or the power supply fails.
- MIN = minimum safety: the relay drops out when the switch point is undershot (sensor is not covered), a fault occurs or the power supply fails.

### NAMUR interface

The Nivotester FTL325N has a NAMUR interface in accordance with IEC/EN 60947-5-6. The control current is evaluated, displayed and output by the Nivotester FTL325N according to the NAMUR standard.

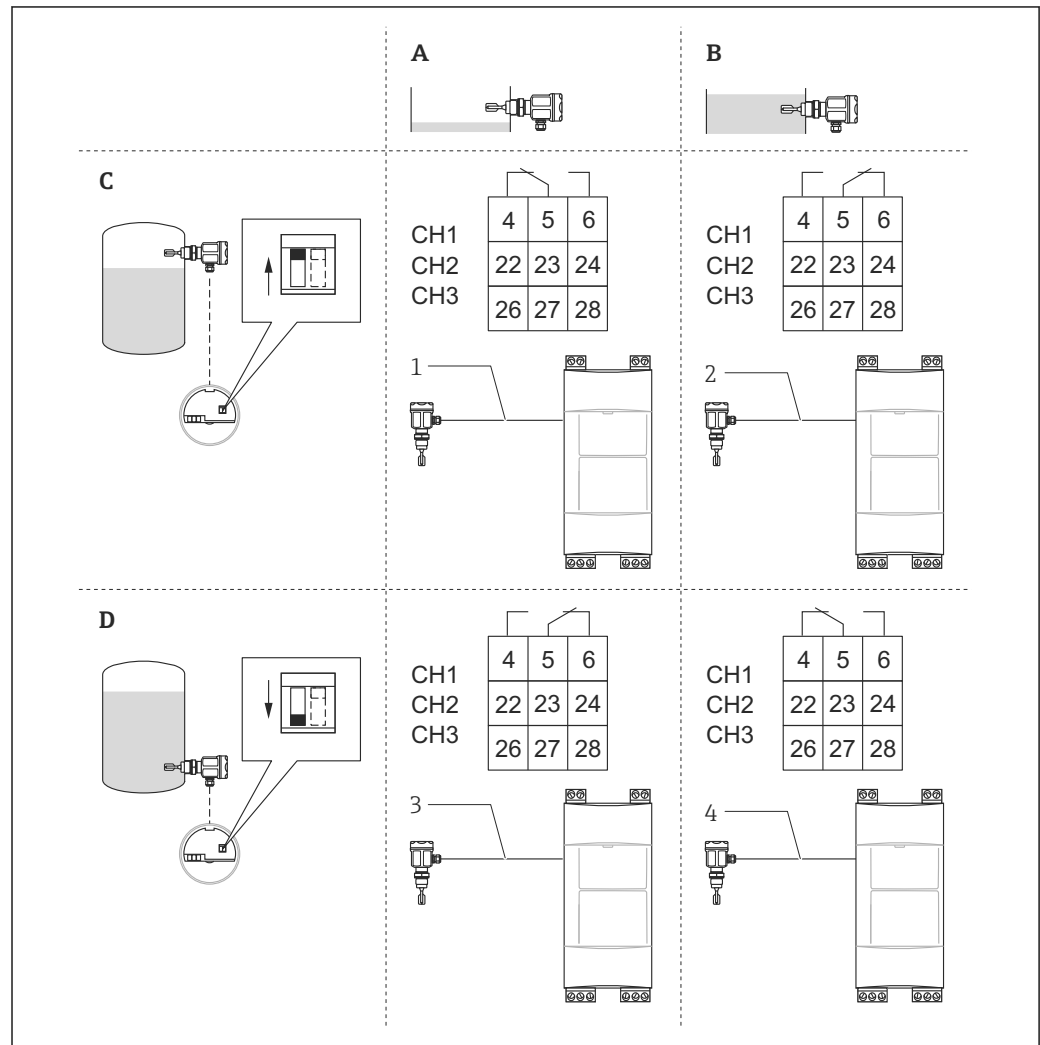
The following Endress+Hauser sensors can be connected in accordance with IEC/EN 60947-5-6:

- Liquiphant M, Liquiphant S with FEL56, FEL58
- Soliphant M with FEM58
- Liquicap M with FEI58
- Solicap M, Solicap S with FEI58

In addition, it is also possible to connect all sensors specified to IEC/EN 60947-5-6 and contact switches with an appropriate external resistance circuit for cable open circuit and short-circuit monitoring. When contact switches without a resistance circuit are used, alarm detection for short-circuiting and signal cable disconnection must be switched off at the appropriate channel.

**Point level detection and current signal depending on the level and fail-safe mode**

The MIN or MAX setting is made on the electronic insert of the sensor.

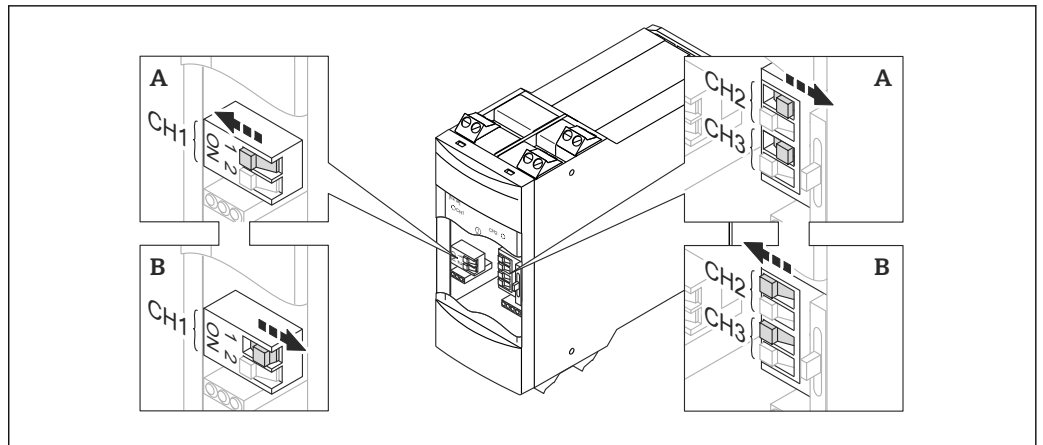


A0026115

- A Tuning fork not covered
- B Tuning fork covered
- C MAX fail-safe mode
- D MIN fail-safe mode
- 1 Control current 0.4 to 1.2 mA (FEL56) / 2.1 to 5.5 mA (FEL58)
- 2 Control current 2.1 to 5.5 mA (FEL56) / 0.4 to 1.2 mA (FEL58)
- 3 Control current 2.1 to 5.5 mA (FEL56) / 0.4 to 1.2 mA (FEL58)
- 4 Control current 0.4 to 1.2 mA (FEL56) / 2.1 to 5.5 mA (FEL58)

**Switch position depending on the electronic inserts**

The relays only switch correctly if the error current signal is set on the Nivotester as a function of the electronic inserts. Example of the Nivotester with electronic insert FEL56 and FEL58:



A0026178

A Electronic insert FEL56: error current signal > 2.1 mA

B Electronic insert FEL58, FEM58, FEI58: error current signal < 1.2 mA



For applications requiring functional safety in accordance with IEC 61508 (SIL), see the → 17 "Supplementary documentation" section of the Functional Safety Manual. If several tanks are in use, a separate Nivotester must be used for each level.

### Function monitoring

To increase operational safety, the Nivotester is equipped with a function monitoring system. As there is a proof test button for every channel, function monitoring can be performed separately. The power supply to the sensor is interrupted during this process.

The red LED on the front panel indicates that a fault has occurred that causes the relays for the level alarm and fault signaling system to drop out.

A fault is reported if the control current leaves the valid range, for example in the event of:

- A short-circuit, or if the signal line to the sensor is disconnected
- Sensor corrosion
- Defective electronics in the sensor
- A defective Nivotester input circuit.

### Two-point control ( $\Delta s$ )

Two-point control in a tank is possible with the 3-channel Nivotester (e.g. for pump control). The installation location of the sensors defines the switching hysteresis.

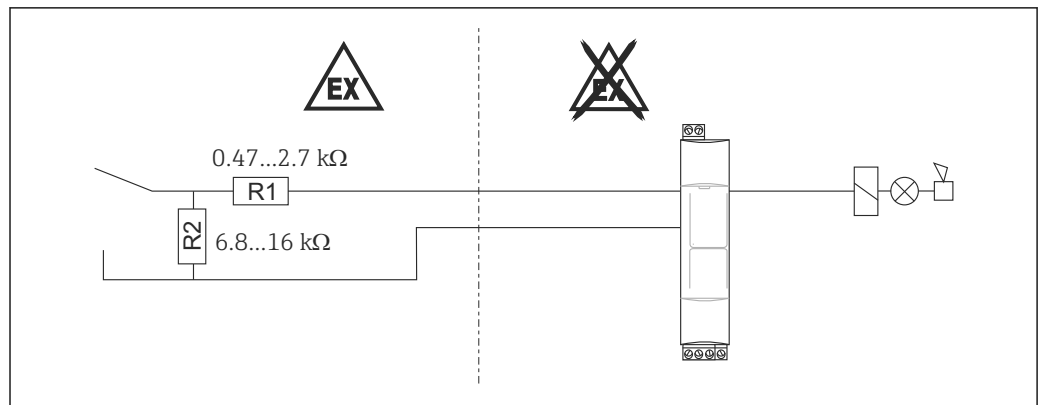
### Measuring system

The measuring system can consist of the following components:

- 1 to 3 sensors, e.g. Liquiphant M/S
- 1-channel or 3-channel Nivotester
- Control or signal devices

Alternatively, sensors specified to IEC/EN 60947-5-6 or contact switches with an appropriate resistance circuit can be used. See also the "NAMUR interface" chapter → 3.

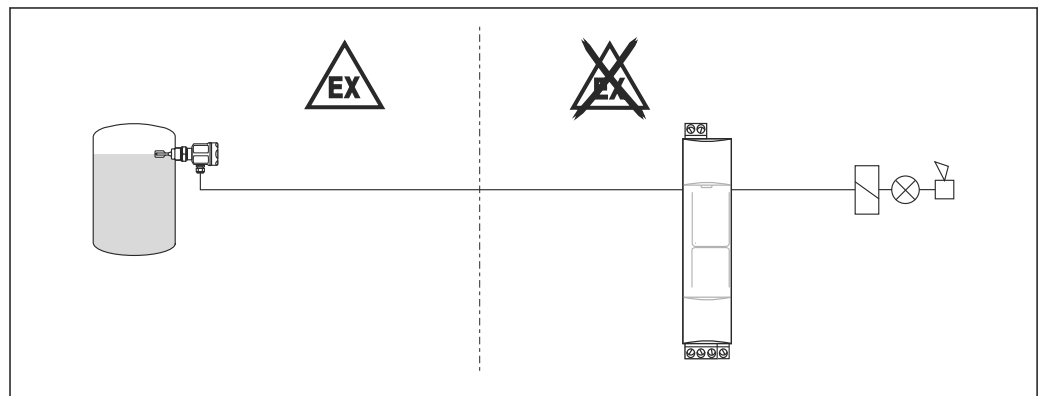
Contact switch with resistance circuit



A0026113

1-channel Nivotester

- 1 sensor
- 1-channel Nivotester
- Control or signal devices

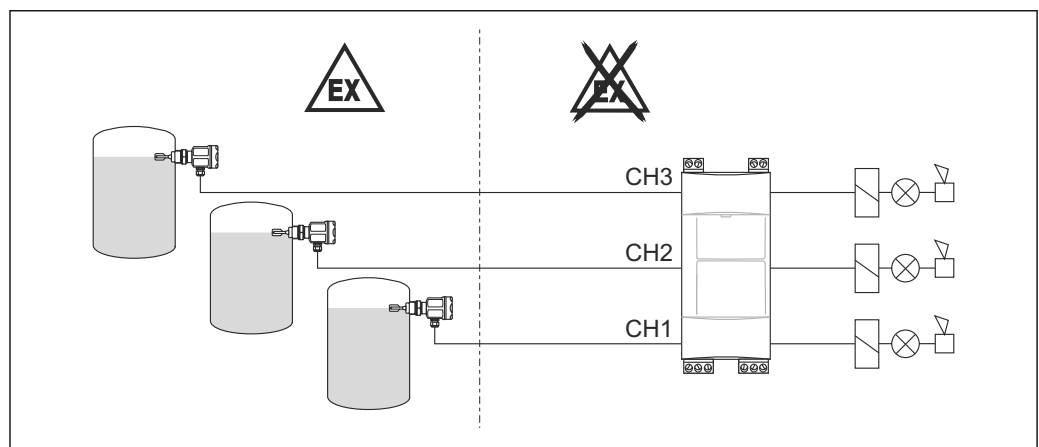


A0026077

3-channel Nivotester

1. The 3 individual channels are used for point level measurement

- 3 sensors
- 3-channel Nivotester
- Control or signal devices

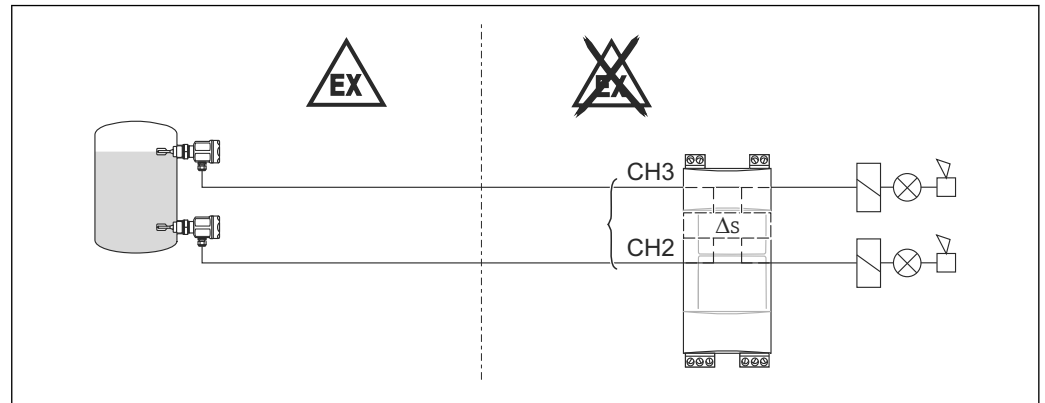


A0026079

2. Channels CH2 and CH3 are used for two-point control  $\Delta s$

- 2 sensors
- 3-channel Nivotester
- Control or signal devices

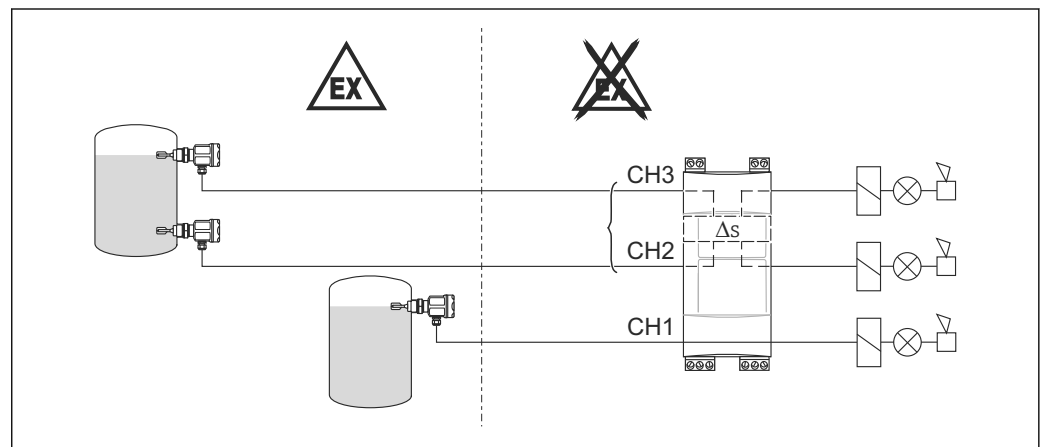
**i** If channel CH1 is not used, the alarm must be switched "off".



A0026080

3. Channels CH2 and CH3 are used for two-point control  $\Delta s$  and channel CH1 is used for overfill prevention

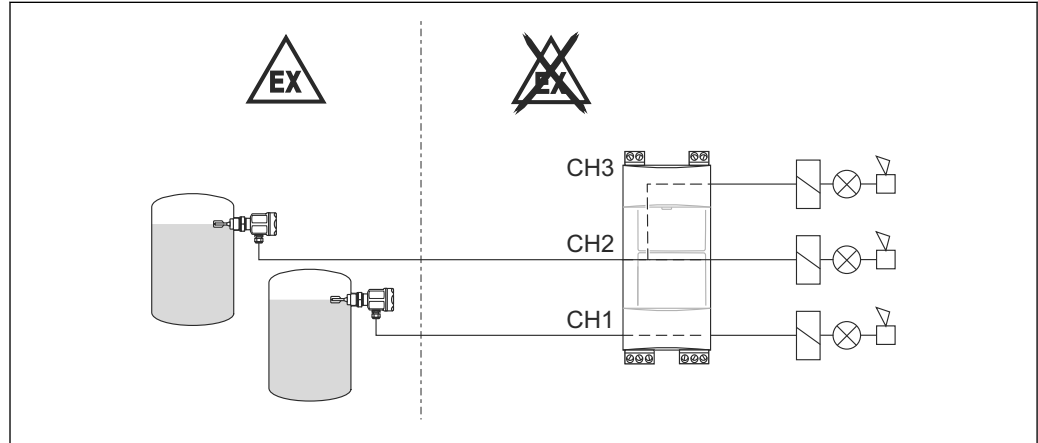
- 3 sensors
- 3-channel Nivotester
- Control or signal devices



A0026082

4. Channel CH2 is used for point level measurement with two level relays and channel CH1 is used for additional point level measurement


- 2 sensors
- 3-channel Nivotester
- Control or signal devices

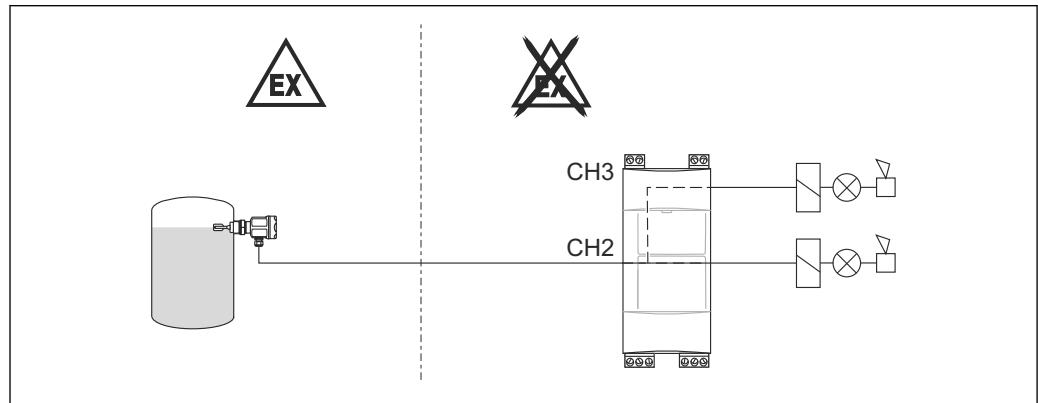


A0026084

5. Channel CH2 is used for point level measurement with two level relays

- 1 sensor
- 3-channel Nivotester
- Control or signal devices



 If channel CH1 is not used, the alarm must be switched "off".



A0026085



## Input

|                          |   |
|--------------------------|---|
| <b>Measured variable</b> | The point level signal is triggered at MIN level or MAX level, depending on the setting.  |
| <b>Measuring range</b>   | The measuring range depends on the installation location of the sensors.  |
| <b>Input signal</b>      | <ul style="list-style-type: none"> <li>■ Galvanically isolated from power supply and output</li> <li>■ Type of protection: intrinsic safety [Ex ia] IIC / [Ex ia] IIIC</li> <li>■ Suitable sensors for connection: <ul style="list-style-type: none"> <li>– Liquiphant M FTL50/51/50H/51H, FTL51C with electronic insert FEL56 or FEL58</li> <li>– Liquiphant S FTL70/71 with electronic insert FEL56 or FEL58</li> <li>– Soliphant M FTM50/51/52 with FEM58</li> <li>– Solicap M FTI55, FTI56, Solicap S FTI77, Liquicap M FTI51, FTI52 with FEI58</li> <li>– Sensors certified to IEC/EN 60947-5-6</li> <li>– Contact switch with appropriate resistance circuit</li> </ul> </li> <li>■ Sensors powered by Nivotester</li> <li>■ Connection cable: twin-core, shield not required</li> <li>■ Cable length/cable resistance: 1 000 m (3 281 ft)/max. 25 Ω per wire</li> <li>■ Signal transmission: current signal over power supply line</li> <li>■ Control current: &lt; 1.2 mA / &gt; 2.1 mA; cable open circuit monitoring &lt; 200 μA, short-circuit monitoring &gt; 6.1 mA (can be switched off for unused channels)</li> </ul> <p> See the relevant certificates for more information on using the sensors in hazardous areas<br/> →  17, "Supplementary documentation" section.</p> |

## Output


|   |  |
|---|--|
| <b>Output signal</b>                              | <ul style="list-style-type: none"> <li>■ Relay output per channel: a potential-free changeover contact for the level alarm</li> <li>■ Quiescent current fail-safe mode: MIN/MAX safety can be selected with DIL switch</li> <li>■ 1 fault-signaling relay for channels 1, 2 and 3 (1 potential-free changeover contact, but it is only possible to connect to two contacts)</li> <li>■ Switching delay: approx. 0.5 s</li> <li>■ Operating life: at least 10<sup>5</sup> switching operations with maximum contact load</li> <li>■ Function indicator: LEDs for operation, level alarm and fault</li> <li>■ Relay contact switching capacity: <ul style="list-style-type: none"> <li><b>Alternating voltage (AC)</b></li> <li>U ~ maximum 250 V</li> <li>I ~ maximum 2 A</li> <li>P ~ maximum 500 VA with <math>\cos \varphi \geq 0.7</math></li> <li><b>Direct current (DC)</b></li> <li>U = maximum 40 V</li> <li>I = maximum 2 A</li> <li>P = maximum 80 W</li> </ul> </li> </ul> |
| <b>Overvoltage category according to EN 61010</b> | II   |
| <b>Protection class</b>                           | II (double or reinforced insulation)   |
| <b>Signal on alarm</b>                            | Level relay per channel dropped out; fault signaled by red LEDs, fault-signaling relay dropped out   |
| <b>Galvanic isolation</b>                         | All input and output channels and relay contacts are galvanically isolated from each other. If simultaneously functional low voltage is connected to the power supply circuit or to the relay contacts, safe galvanic isolation is guaranteed up to a voltage of 150 V <sub>AC</sub> .   |

## Power supply

### Electrical connection

#### Sensor operation in the hazardous area

Observe all national explosion protection regulations concerning the type and installation of intrinsically safe signal cabling.

Refer to the safety instructions for the maximum admissible values for capacitance and inductance →  17, "Supplementary documentation" section.

#### Connecting the sensors

The removable terminal blocks are color-coded into intrinsically safe and non-intrinsically safe terminals. This difference helps to ensure safe wiring.

##### *Blue terminal blocks at top for hazardous area*

Twin-core connection cable between the Nivotester and sensor, e.g. commercially available instrument cable or cores in a multi-core cable for measurement purposes.

Use a shielded cable in the event of strong electromagnetic interference, e.g. from machines or radio equipment. Only connect the shield to the grounding terminal in the sensor. Do not connect it to the Nivotester.

#### Connecting the signal and control units

##### *Gray terminal blocks at bottom for the non-hazardous area*

The relay function depends on the level and fail-safe mode. If a device is connected at high inductance (e.g. contactor, solenoid valve etc.), a spark arrester must be installed to protect the relay contact.

#### Connecting the supply voltage

##### *Green terminal block at bottom*

A fuse is integrated into the power supply circuit. An additional fine-wire fuse is not necessary. The Nivotester has reverse polarity protection.

### Supply voltage

#### Alternating current version (AC)

Voltage range: 85 to 253 V AC, 50/60 Hz

#### Direct current range (DC)

- Voltage range: 20 to 30 V AC / 20 to 60 V DC
- D/C power supply:
  - 1-channel: maximum 60 mA
  - 3-channel: maximum 113 mA
- Permitted residual ripple within tolerance:  $U_{ss} = \text{maximum } 2 \text{ V}$

### Power consumption

#### AC

- 1-channel: maximum 1.75 W
- 3-channel: maximum 2.75 W

#### DC

- 1-channel: 1.2 W (for  $U_{\min} 20 \text{ V}$ )
- 3-channel: 2.25 W (for  $U_{\min} 20 \text{ V}$ )

## Performance characteristics

### Switch-on behavior

Correct switch state after switching on the power supply: 10 to 20 s, depending on the connected sensor.

## Installation

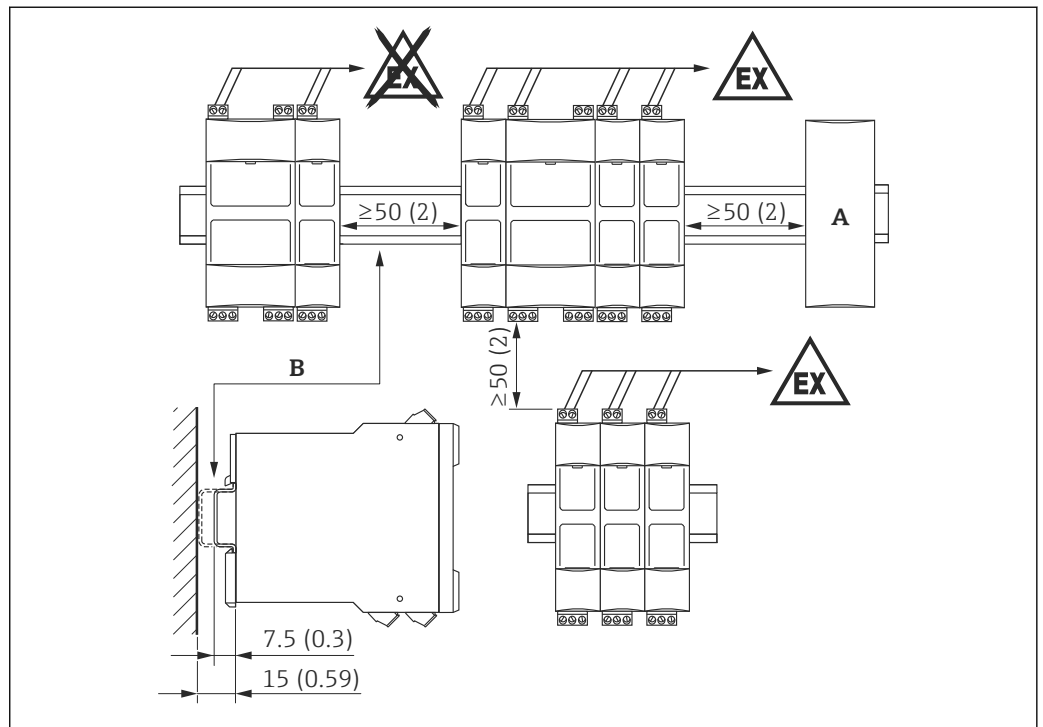
### Mounting location

- The Nivotester must be housed in a cabinet outside the hazardous area.
- The devices must be mounted in such a way that they are protected from impact and weather conditions. Where possible, mount the device in a location where it is not exposed to direct sunlight, particularly in warm climates.
- A protective housing (IP65) for up to four 1-channel or two 3-channel Nivotesters is available for outdoor installation, see → 17 "Accessories" section.

### Orientation

#### Horizontal orientation

-  Horizontal installation ensures better dissipation of heat and is therefore the preferred orientation.



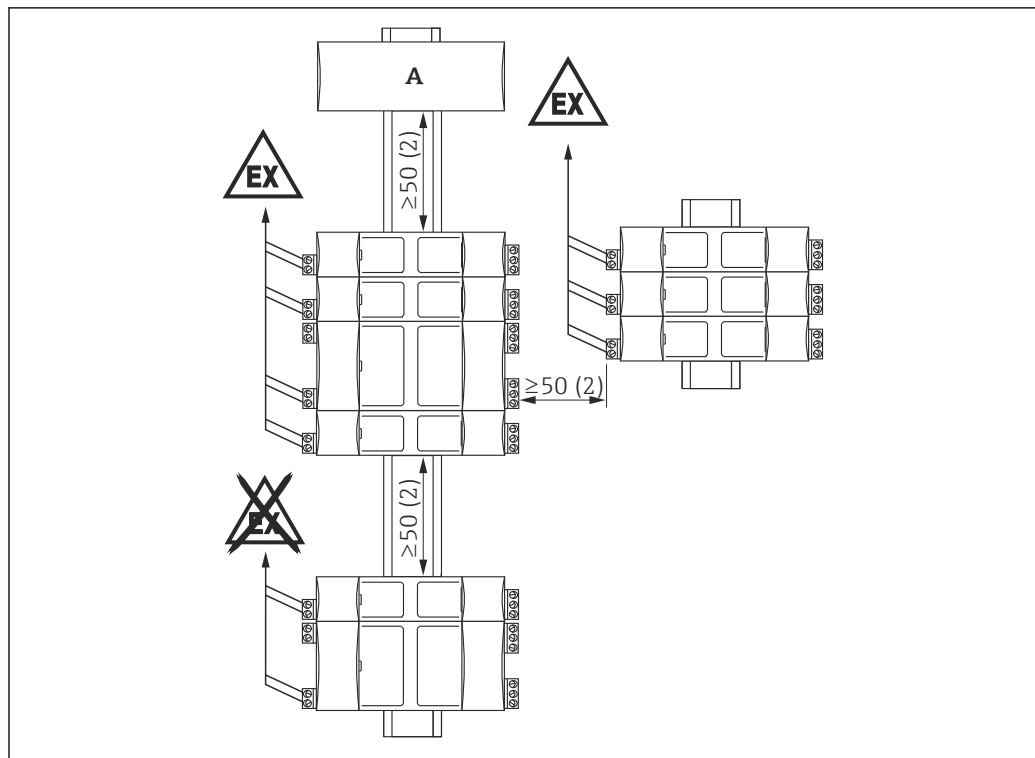
A0026303

Dimensions mm (in)

A Connection of another device type

B DIN rail in accordance with EN 60715 TH35-7.5/15

## Vertical orientation



A0026420

Dimensions mm (in)

A Connection of another device type

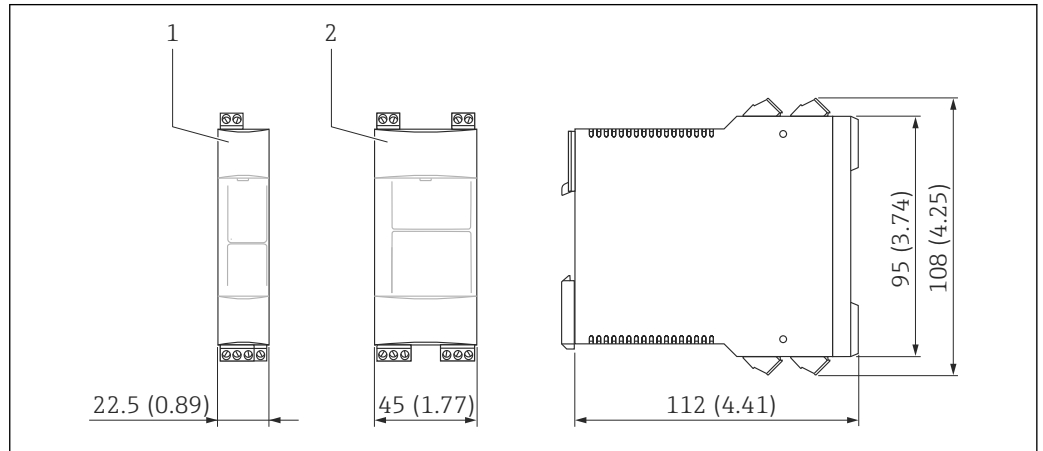
## Environment

|   |  |
|---|--|
| <b>Ambient temperature range</b>                | <ul style="list-style-type: none"> <li>■ For single installation: <math>-20</math> to <math>+60</math> °C (<math>-4</math> to <math>140</math> °F)</li> <li>■ For side-by-side installation without lateral spacing: <math>-20</math> to <math>+50</math> °C (<math>-4</math> to <math>+122</math> °F)</li> <li>■ For installation in protective housing: <math>-20</math> to <math>+40</math> °C (<math>-4</math> to <math>+104</math> °F)<br/>Up to four 1-channel or two 3-channel Nivotesters or a maximum of two 1-channel Nivotesters plus one 3-channel Nivotester fit in a protective housing.</li> <li>■ Storage temperature: <math>-20</math> to <math>+85</math> °C (<math>-4</math> to <math>185</math>), preferably at <math>20</math> °C (<math>68</math> °F)</li> </ul> |
| <b>Climate and mechanical application class</b> | 3K3 and 3M2 in accordance with IEC/EN 60721-3-3  |
| <b>Degree of protection</b>                     | <ul style="list-style-type: none"> <li>■ IP20 (as per IEC/EN 60529)</li> <li>■ IK06 (as per IEC/EN 62262)</li> </ul>   |
| <b>Electromagnetic compatibility (EMC)</b>      | <ul style="list-style-type: none"> <li>■ Interference emission according to EN 61326, Class A equipment</li> <li>■ Interference immunity according to EN 61326; Annex A (Industrial) and NAMUR Recommendation NE21 (EMC)</li> </ul>  |

## Mechanical construction

### Design, dimensions

### Dimensions



Dimensions mm (in)

- 1 1-channel Nivotester
- 2 3-channel Nivotester

A0026095

### Weight

- 1-channel: approx. 148 g (5.22 oz)
- 3-channel: approx. 250 g (8.81 oz)

### Materials

- Housing: polycarbonate
- Front cover: PP polypropylene
- Fixing slide to secure to DIN rail: polyamide PA6

### Terminals

#### 1-channel

- 2 screw terminals: sensor power supply
- 3 screw terminals: level relay
- 2 screw terminals: fault-signaling relay
- 2 screw terminals: power supply

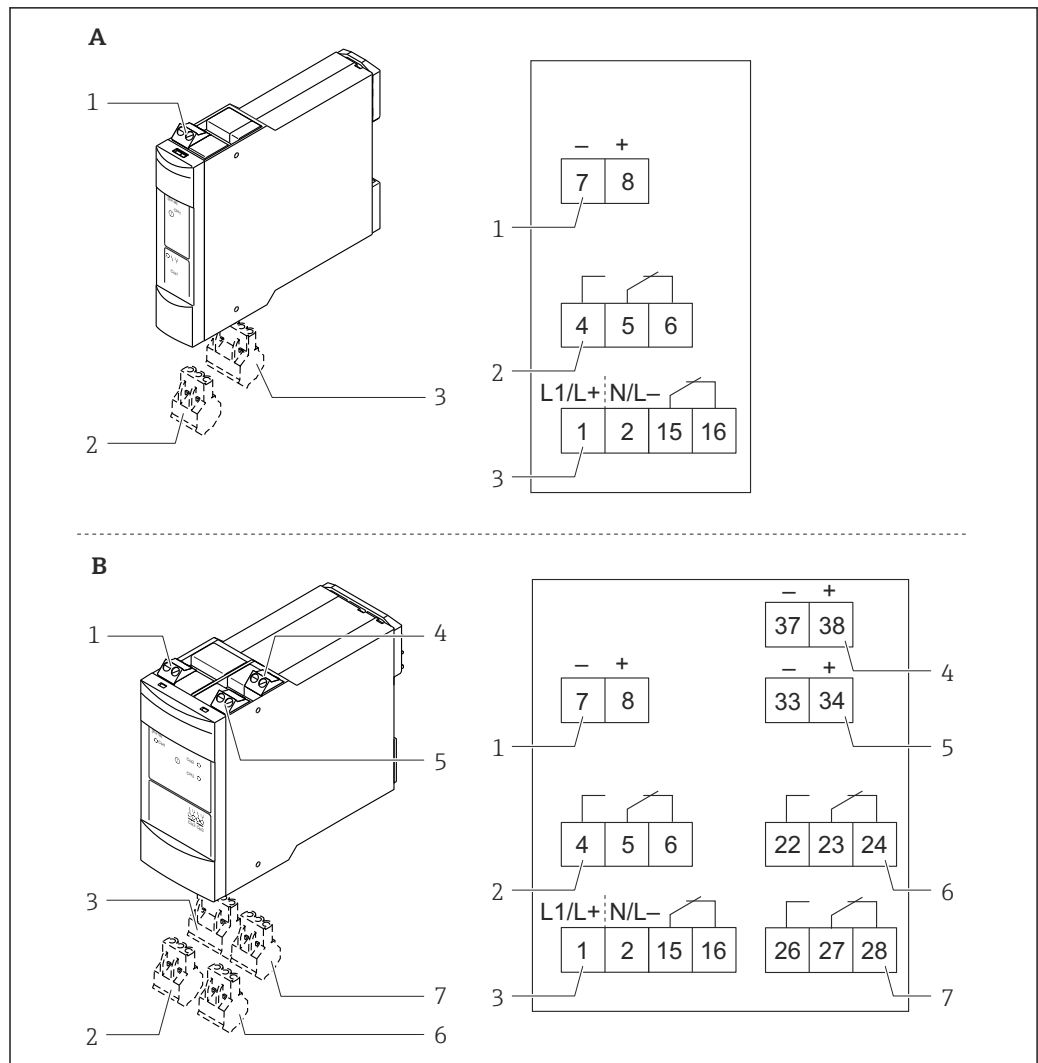
#### 3-channel

- 3x2 screw terminals: sensor power supply, channel 1 to 3
- 3x3 screw terminals: level relay, channel 1 to 3
- 2 screw terminals: fault-signaling relay
- 2 screw terminals: power supply

#### Connection cross-section

Maximum 1 x 2.5 mm<sup>2</sup> (14 AWG) or 2 x 1.5 mm<sup>2</sup> (16 AWG)

Terminal assignment



A0026100

- A 1-channel Nivotester
- B 3-channel Nivotester
- 1 Sensor 1 (Ex ia)
- 2 Level relay 1
- 3 Power supply / fault-signaling relay
- 4 Sensor 3 (Ex ia)
- 5 Sensor 2 (Ex ia)
- 6 Level relay 2
- 7 Level relay 3

# Operability

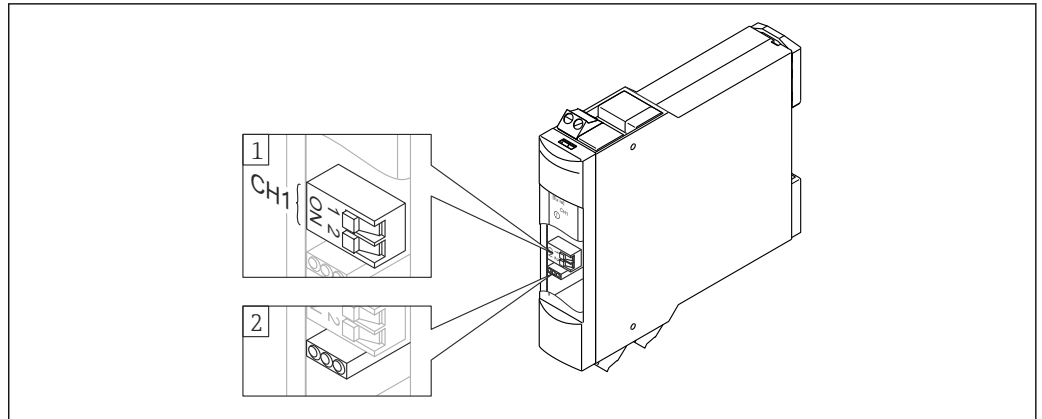
**Operating concept** Onsite configuration with DIL switches behind fold-down front panel

**Display elements**

**Light emitting diodes (LEDs)**

- Green light emitting diode: operational
- One red LED per channel: fault signal
- One yellow LED per channel: level relay picked up

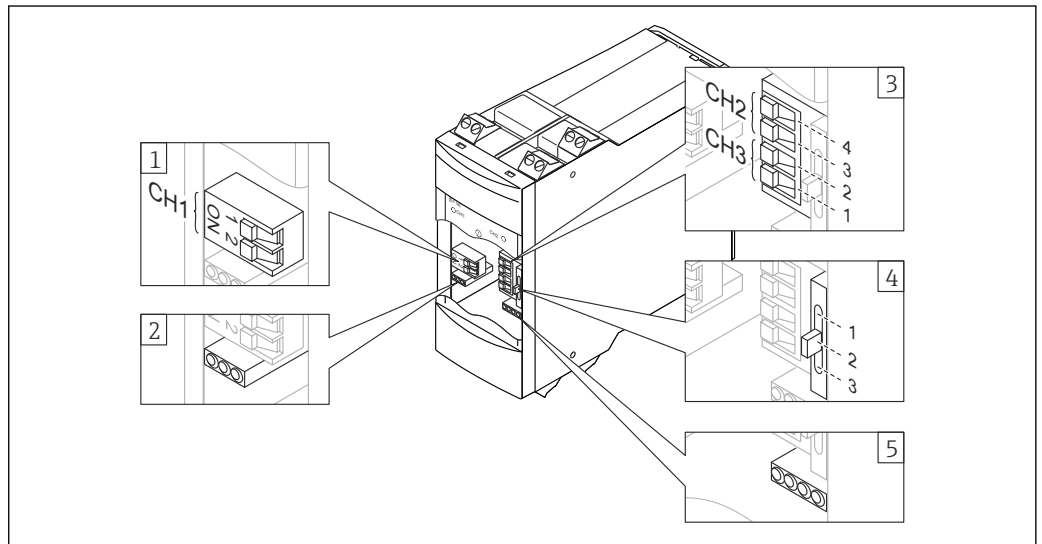
**Operating elements** 1-channel Nivotester



A0026315

- 1 DIL switch: error current signal 2.1 mA / 1.2 mA (1), fault on/off position (2)
- 2 Light emitting diodes (LEDs)


**3-channel Nivotester**



A0026107

- 1 DIL switch for channel 1: error current signal 2.1 mA / 1.2 mA (1), fault on/off position (2)
- 2 Light emitting diodes (LEDs)
- 3 DIL switch for channel 2 and 3: fault on/off position (1/3), error current signal 2.1 mA / 1.2 mA (2/4)
- 4 Switch for functions:  $\Delta$ s, e.g. pump control (1), two level relays (2), individual channels (3)
- 5 Light emitting diodes (LEDs)

## Certificates and approvals

|                                       |   |
|---------------------------------------|---|
| <b>CE mark</b>                        | <p>The measuring device is in conformity with the statutory requirements of the applicable EC Directives. These are listed in the corresponding EC Declaration of Conformity along with the standards applied.</p> <p>Endress+Hauser confirms successful testing of the device by affixing to it the CE mark.</p>   |
| <b>RCM-Tick mark</b>                  | <p>The measuring device complies with the EMC requirements of the "Australian Communications and Media Authority (ACMA)".</p>   |
| <b>Ex approval</b>                    | <p>The Endress+Hauser sales center can provide information on the hazardous area versions currently available. All data relevant to explosion protection are provided in separate documents which can be supplied on request, "Supplementary documentation" section.</p>  |
| <b>Type of protection</b>             | <p>II(1)G [Ex ia Ga] IIC<br/>II(1)D [Ex ia Da] IIIC</p>   |
| <b>Overfill prevention</b>            | <ul style="list-style-type: none"> <li>▪ WHG</li> <li>▪ Leak approval</li> </ul>  |
| <b>Other standards and guidelines</b> | <p>The applicable European guidelines and standards can be found in the relevant EU Declarations of Conformity.</p> <ul style="list-style-type: none"> <li>▪ IEC/EN 60947-5-6: Low-voltage switchgear and control gear - DC interface for proximity sensors and switching amplifiers (NAMUR)</li> <li>▪ IEC/EN 60721-3-3: Classification of environmental conditions</li> <li>▪ IEC/EN 60529: Degrees of protection provided by enclosures (IP code)</li> <li>▪ IEC/EN 61010: Safety requirements for electrical equipment for measurement, control and laboratory use</li> <li>▪ IEC/EN 61326: Interference emission (class A equipment), interference immunity (Appendix A - Industrial)</li> <li>▪ IEC 61508: Functional safety of safety-related electric/electronic/programmable electronic systems (E/E/PES)</li> </ul> |
| <b>Functional safety</b>              | <p>SIL 1, SIL 2 for protection functions as</p> <ul style="list-style-type: none"> <li>▪ Overfill prevention in conjunction with Liquiphant + electronic insert FEL56/58 or Soliphant + FEM58</li> <li>▪ Minimum detection in conjunction with Liquiphant + electronic insert FEL56/58</li> </ul> <p>Refer to the Functional Safety Manual →  17, "Supplementary documentation" section!</p>   |

## Ordering information

Detailed ordering information is available from the following sources:

- In the Product Configurator on the Endress+Hauser website: [www.endress.com](http://www.endress.com) → Select your country → Products → Select measuring technology, software or components → Select the product (picklists: measurement method, product family etc.) → Device support (right-hand column): Configure the selected product → The Product Configurator for the selected product opens.
- From your Endress+Hauser Sales Center: [www.addresses.endress.com](http://www.addresses.endress.com)



### Product Configurator - the tool for individual product configuration

- Up-to-the-minute configuration data
- Depending on the device: Direct input of measuring point-specific information such as measuring range or operating language
- Automatic verification of exclusion criteria
- Automatic creation of the order code and its breakdown in PDF or Excel output format
- Ability to order directly in the Endress+Hauser Online Shop




## Accessories

### Protective housing

The protective housing with IP66 ingress protection is equipped with an integrated DIN rail and is closed by a transparent cover which can also be lead-sealed.

- Dimensions in mm (in) B/H/D: 180/182/165 (7.1/7.2/6.5)
- Part number: 52010132

## Supplementary documentation

 The following document types are also available in the Download Area of the Endress+Hauser website: [www.endress.com](http://www.endress.com) → download

### Operating Instructions

| Document code  | Content  |
|--|--|
| <ul style="list-style-type: none"> <li>▪ KA00170F/00/A6</li> <li>▪ KA00171F/00/A6</li> </ul> | <ul style="list-style-type: none"> <li>▪ Nivotester FTL325N with NAMUR input, 1-channel</li> <li>▪ Nivotester FTL325N with NAMUR input, 3-channel</li> </ul> |

### Technical Information

| Document code  | Content  |
|----------------|--|
| TI00328F/00/EN | Liquiphant M FTL50(H), FTL51(H), sensor for point level detection in liquids   |
| TI00347F/00/EN | Liquiphant M FTL51C, sensor for point level detection in liquids with highly corrosion-resistant coating                 |
| TI00354F/00/EN | Liquiphant S FTL70/71, sensor for point level detection in liquids for medium temperatures up to 280 °C (536 °F)         |
| TI00392F/00/EN | Soliphant M FTM50/51/52, universal point level switch for fine-grained bulk solids, also for dust incandive hazard areas |
| TI00417F/00/EN | Liquicap M FTI51, FTI52, point level switch for liquids  |
| TI00433F/00/EN | Solicap S FTI77, robust point level switch for bulk solids also in combination with very high temperatures               |
| TI00418F/00/EN | Solicap M FTI55, FTI56, point level switch for bulk solids   |
| TI00367F/00/EN | Protective housing → system components for DIN rail housing  |

### Functional safety (SIL)

| Document code  | Content  |
|----------------|--|
| SD00168F/00/EN | Nivotester FTL325N (HW-V01.00)+Liquiphant M/S+FEL56; MAX detection         |
| SD00188F/00/EN | Nivotester FTL325N, (HW-V01.00)+Liquiphant M/S+FEL56; MIN detection        |
| SD01521F/00/EN | Nivotester FTL325N (HW-V02.00)+Liquiphant M/S+FEL56; MIN and MAX detection |
| SD00161F/00/EN | Nivotester FTL325N (HW-V01.00)+Liquiphant M/S+FEL58; MAX detection         |
| SD00170F/00/EN | Nivotester FTL325N (HW-V01.00)+Liquiphant M/S+FEL58; MIN detection         |
| SD01522F/00/EN | Nivotester FTL325N (HW-V02.00)+Liquiphant M/S+FEL58; MIN and MAX detection |
| SD00206F/00/EN | Nivotester FTL325N (HW-V01.00+HW-V02.00)+Soliphant M+FEM58; MAX detection  |

### WHG

| Document code  | Content  |
|----------------|--|
| ZE00233F/00/EN | Liquiphant M FTL50(H), FTL51(H) FTL51C / Liquiphant S FTL70/71; General approval by the building authorities Z-65.11-230 (DIBt), overfill prevention |
| ZE00271F/00/EN | Liquiphant M FTL50(H), FTL51(H) FTL51C / Liquiphant S FTL70/71; Z-65.40-446 leak approval  |

**Certificate**

Depending on the approval, Safety Instructions are also supplied with the device. They are an integral part of the Operating Instructions. The options in question can be selected in the product structure, "approval" order code.

| Document code  | Approval   | Option |
|----------------|--|--------|
| XA00134F/00/A3 | ATEX: II (1) G [Ex ia Ga] IIC; II (1) D [Ex ia Da] IIIC<br>IECEX: [Ex ia Ga] IIC; [Ex ia Da] IIIC                    | F      |
|                | ATEX: II (1) G [Ex ia Ga] IIC; II (1) D [Ex ia Da] IIIC<br>IECEX: [Ex ia Ga] IIC; [Ex ia Da] IIIC, SIL               | H      |
| XA00527F/00/A3 | ATEX: II 3 (1) G Ex nA nC [Ex ia Ga] IIC T4 Gc<br>IECEX: Ex nA nC [Ex ia Ga] IIC T4 Gc, SIL                          | G      |
| XA00397F/00/B2 | NEPSI: [Ex ia Ga] IIC  | M      |
|                | NEPSI: [Ex ib Gb] IIC, SIL   | N      |
| XA01341F/00/EN | INMETRO: [Ex ia Ga] IIC  | 1      |
|                | INMETRO: [Ex ia Ga] IIC, SIL   | 2      |
| ZD069F/00/EN   | FM: Class I, II, III Division 1 or 2 Groups A- G Class I, Zone 0 AEx ia IIC  | O      |
|                | FM: Class I, II, III Division 1 or 2 Groups A- G Class I, Zone 0 AEx ia IIC, SIL                                     | P      |
| ZD070F/00/EN   | CSA: Class I, II, III Division 1 or 2 Groups A- G Class I, Zone 0 Ex ia IIC<br>Class I Division 2 Groups A, B, C, D  | S      |
|                | CSA: Class I, II, III Division 1 or 2 Groups A - G Class I, Zone 0 Ex ia IIC, SIL<br>Class I Division 2 Groups A - D | T      |

---



71297043

[www.addresses.endress.com](http://www.addresses.endress.com)

---