

# Technical Information

## RIA45

Panel meter



Panel meter with control unit for monitoring and visualizing measured values

### Application

- Plant and apparatus engineering and construction
- Control rooms and cabinets
- Laboratories
- Process recording and supervision
- Process control
- Signal adjustment and signal conversion
- WHG compliant limit signal transmitter

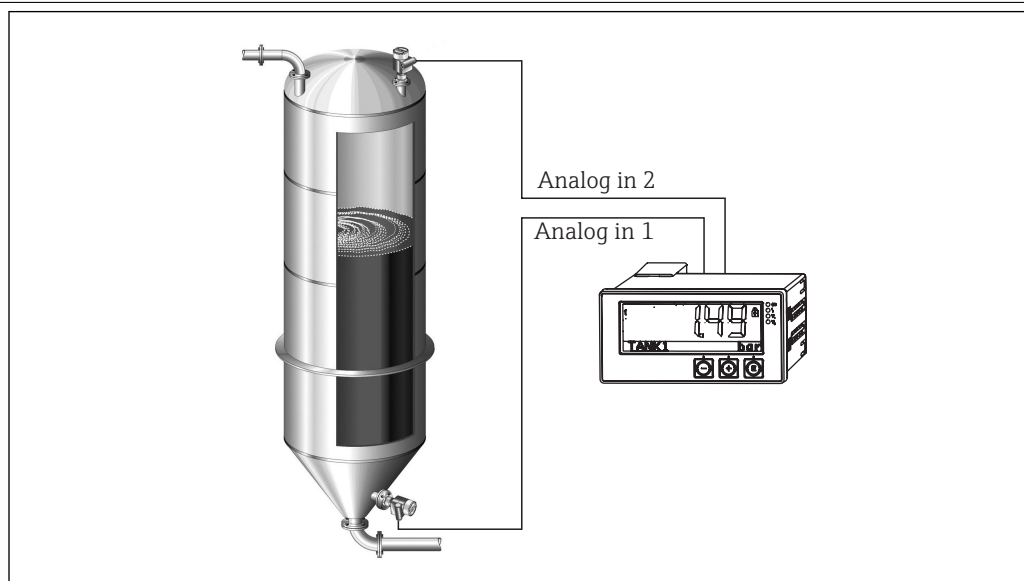
- Min./max. value saved
- 1 or 2 calculated values
- One linearization table with 32 points for each calculated value
- 1 or 2 analog outputs
- Digital status output (open collector)
- Operation using 3 keys
- SIL2 approval (optional)

### Your benefits

- 5-digit, 7-segment backlit LC display
- User-configurable dot matrix display range for bar graph, units and tag name
- 1 or 2 universal inputs
- 2 relays (optional)

## Function and system design

### Application



1 Example for "differential pressure" application

The RIA45 panel meter powers the transmitter and processes analog signals from transmitters, particularly from the area of process instrumentation. These signals are monitored, evaluated, calculated, saved, separated, linked, converted and displayed. The signals, intermediate values and the results of calculations and analysis are transmitted by digital or analog means.

### Measuring system

The RIA45 is a process transmitter, which is controlled by a microcontroller, and exhibits a display, analog inputs for process and status signals, analog and digital outputs, as well as an interface for configuration.

Connected sensors (e.g. temperature, pressure) can be powered by the integrated transmitter power supply system. The signals to be measured are converted from analog to digital signals, processed digitally in the device, and then converted from digital to analog signals and made available to the various outputs. All measured values, and values calculated in any way, are available as a signal source for the display, all outputs, relays and the interface. It is possible to make multiple use of the signals and results (e.g. a signal source as an analog output signal and limit value for a relay).

### Mathematics functions

The following mathematics functions are available in RIA45:

- Sum
- Difference
- Multiplication
- Mean
- Linearization

#### Linearization function

Up to 32 user-definable points are available in the device per calculated value to linearize the input, e.g. for tank linearization. In the case of the two-channel device (option), mathematics channel M2 can be used to linearize mathematics channel M1.

Linearization is also available in the FieldCare configuration software.

## Input

<b>Measured variable</b>	Current, voltage, resistance, resistance thermometer, thermocouples
<b>Measuring ranges</b>	<p>Current:</p> <ul style="list-style-type: none"> <li>■ 0/4 to 20 mA +10% overrange</li> <li>■ Short-circuit current: max. 150 mA</li> <li>■ Load: 10 <math>\Omega</math></li> </ul> <p>Voltage:</p> <ul style="list-style-type: none"> <li>■ 0 to 10 V, 2 to 10 V, 0 to 5 V, 0 to 1 V, 1 to 5 V, <math>\pm 1</math> V, <math>\pm 10</math> V, <math>\pm 30</math> V, <math>\pm 100</math> mV</li> <li>■ Max. permitted input voltage:             <ul style="list-style-type: none"> <li>Voltage <math>\geq 1</math> V: <math>\pm 35</math> V</li> <li>Voltage <math>&lt; 1</math> V: <math>\pm 12</math> V</li> </ul> </li> <li>■ Input impedance: <math>&gt; 1\,000</math> k<math>\Omega</math></li> </ul> <p>Resistance:</p> <p>30 to 3 000 <math>\Omega</math></p> <p>Resistance thermometer:</p> <ul style="list-style-type: none"> <li>■ Pt100 as per IEC60751, GOST, JIS1604</li> <li>■ Pt500 and Pt1000 as per IEC60751</li> <li>■ Cu100, Cu50, Pt50, Pt46, Cu53 as per GOST</li> <li>■ Ni100, Ni1000 as per DIN 43760</li> </ul> <p>Thermocouple types:</p> <ul style="list-style-type: none"> <li>■ Typ J, K, T, N, B, S, R as per IEC60584</li> <li>■ Typ U as per DIN 43710</li> <li>■ Typ L as per DIN 43710, GOST</li> <li>■ Typ C, D as per ASTM E998</li> </ul>
<b>Number of inputs</b>	One or two universal inputs
<b>Update time</b>	200 ms
<b>Galvanic isolation</b>	Towards all other circuits

## Output

<b>Output signal</b>	<p>One or two analog outputs, galvanically isolated</p> <p><b>Current/voltage output</b></p> <p>Current output:</p> <ul style="list-style-type: none"> <li>■ 0/4 to 20 mA</li> <li>■ Overrange up to 22 mA</li> </ul> <p>Voltage:</p> <ul style="list-style-type: none"> <li>■ 0 to 10 V, 2 to 10 V, 0 to 5 V, 1 to 5 V</li> <li>■ Overrange: up to 11 V, short-circuit proof, <math>I_{\max} &lt; 25</math> mA</li> </ul> <p><b>HART®</b></p> <p>HART® signals are not affected</p>
<b>Loop power supply</b>	<ul style="list-style-type: none"> <li>■ Open-circuit voltage: 24 V<sub>DC</sub> (+15% /-5%)             <ul style="list-style-type: none"> <li>Ex version: <math>&gt; 14</math> V at 22 mA</li> <li>Non-hazardous operation: <math>&gt; 16</math> V at 22 mA</li> </ul> </li> <li>■ Maximum 30 mA short-circuit-proof and overload-proof</li> <li>■ Galvanically isolated from system and outputs</li> </ul>
<b>Switching output</b>	Open Collector for monitoring of the device state and alarm notification. The OC output is closed in normal state. In error state, the OC output is opened.

- $I_{\max} = 200 \text{ mA}$
- $U_{\max} = 28 \text{ V}$
- $U_{\text{on}/\max} = 2 \text{ V}$  at 200 mA

Galvanic isolation towards all other circuits; test voltage 500 V

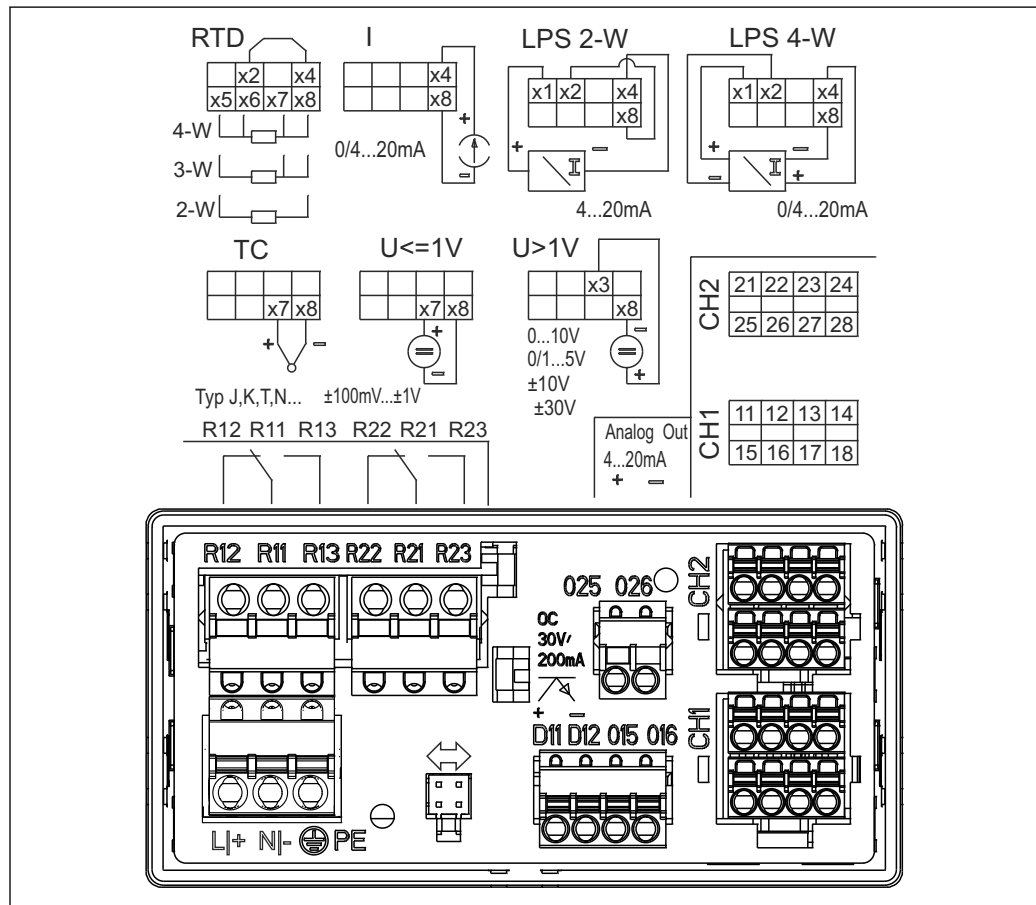
## Relay output

Relay output for limit function

Relay contact	Changeover
Maximum contact burden DC	30 V / 3 A (permanent state, without destruction of the input)
Maximum contact burden AC	250 V / 3 A (permanent state, without destruction of the input)
Minimum contact load	500 mW (12 V/10 mA)
Galvanic isolation towards all other circuits	Test voltage 1500 V <sub>AC</sub>
Switching cycles	> 1 million

## Power supply

### Terminal assignment



A0010228

- 2 Terminal assignment of the panel meter (relays (terminals Rx1-Rx3) and channel 2 (terminals 21-28 and 025/026) optional)

### Supply voltage

Wide-area power supply unit 24 to 230 V AC/DC (-20 % / +10 %) 50/60 Hz

### Power consumption

Max. 21.5 VA / 6.9 W

**Connection data interface**

**Commubox FXA291 PC USB interface**

- Connection: 4-pin connector
- Transmission protocol: FieldCare
- Transmission rate: 38,400 Baud

**Interface cable TXU10-AC PC USB interface**

- Connection: 4-pin connection
- Transmission protocol: FieldCare
- Delivery scope: Interface cable incl. FieldCare Device Setup DVD with all Comm DTMs and Device DTMs

## Performance characteristics

**Reference operating conditions**

Power supply: 230 V<sub>AC</sub>, 50/60 Hz  
 Ambient temperature: 25 °C (77 °F) ± 5 °C (9 °F)  
 Humidity: 20 %...60 % rel. humidity

**Maximum measured error**

**Universal input:**

Accuracy	Input:	Range:	Maximum measured error of measuring range (oMR):	
	Current	0 to 20 mA, 0 to 5 mA, 4 to 20 mA; Overrange: up to 22 mA	±0.05%	
	Voltage ≥ 1 V	0 to 10 V, 2 to 10 V, 0 to 5 V, 1 to 5 V, 0 to 1 V, ±1 V, ±10 V, ±30 V	±0.1%	
	Voltage < 1 V	±100 mV	±0.05%	
	Resistance measurement	30 to 3000 Ω	4-wire: ± (0.10% oMR + 0.8 Ω) 3-wire: ± (0.10% oMR + 1.6 Ω) 2-wire: ± (0.10% oMR + 3 Ω)	
	RTD		Pt100, -200 to 850 °C (-328 to 1562 °F) (IEC60751, α=0.00385) Pt100, -200 to 850 °C (-328 to 1562 °F) (JIS1604, w=1.391) Pt100, -200 to 649 °C (-328 to 1200 °F) (GOST, α=0.003916) Pt500, -200 to 850 °C (-328 to 1562 °F) (IEC60751, α=0.00385) Pt1000, -200 to 600 °C (-328 to 1112 °F) (IEC60751, α=0.00385)	4-wire: ± (0.10% oMR + 0.3 K (0.54 °F)) 3-wire: ± (0.10% oMR + 0.8 K (1.44 °F)) 2-wire: ± (0.10% oMR + 1.5 K (2.7 °F))
			Cu100, -200 to 200 °C (-328 to 392 °F) (GOST, w=1.428) Cu50, -200 to 200 °C (-328 to 392 °F) (GOST, w=1.428) Pt50, -200 to 1100 °C (-328 to 2012 °F) (GOST, w=1.391) Pt46, -200 to 850 °C (-328 to 1562 °F) (GOST, w=1.391) Ni100, -60 to 250 °C (-76 to 482 °F) (DIN43760, α=0.00617) Ni1000, -60 to 250 °C (-76 to 482 °F) (DIN43760, α=0.00617)	4-wire: ± (0.10% oMR + 0.3 K (0.54 °F)) 3-wire: ± (0.10% oMR + 0.8 K (1.44 °F)) 2-wire: ± (0.10% oMR + 1.5 K (2.7 °F))
			Cu53, -50 to 200 °C (-58 to 392 °F) (GOST, w=1.426)	4-wire: ± (0.10% oMR + 0.3 K (0.54 °F)) 3-wire: ± (0.10% oMR + 0.8 K (1.44 °F)) 2-wire: ± (0.10% oMR + 1.5 K (2.7 °F))
	Thermocouples		Typ J (Fe-CuNi), -210 to 1200 °C (-346 to 2192 °F) (IEC60584)	± (0.10% oMR + 0.5 K (0.9 °F)) from -100 °C (-148 °F)
			Typ K (NiCr-Ni), -200 to 1372 °C (-328 to 2502 °F) (IEC60584)	± (0.10% oMR + 0.5 K (0.9 °F)) from -130 °C (-202 °F)

Accuracy	Input:	Range:	Maximum measured error of measuring range (oMR):
		Typ T (Cu-CuNi), -270 to 400 °C (-454 to 752 °F) (IEC60584)	± (0.10% oMR + 0.5 K (0.9 °F)) from -200 °C (-328 °F)
		Typ N (NiCrSi-NiSi), -270 to 1 300 °C (-454 to 2 372 °F) (IEC60584)	± (0.10% oMR + 0.5 K (0.9 °F)) from -100 °C (-148 °F)
		Typ L (Fe-CuNi), -200 to 900 °C (-328 to 1 652 °F) (DIN43710, GOST)	± (0.10% oMR + 0.5 K (0.9 °F)) from -100 °C (-148 °F)
		Typ D (W3Re/W25Re), 0 to 2 495 °C (32 to 4 523 °F) (ASTME998)	± (0.15% oMR + 1.5 K (2.7 °F)) from 500 °C (932 °F)
		Typ C (W5Re/W26Re), 0 to 2 320 °C (32 to 4 208 °F) (ASTME998)	± (0.15% oMR + 1.5 K (2.7 °F)) from 500 °C (932 °F)
		Typ B (Pt30Rh-Pt6Rh), 0 to 1 820 °C (32 to 3 308 °F) (IEC60584)	± (0.15% oMR + 1.5 K (2.7 °F)) from 600 °C (1 112 °F)
		Typ S (Pt10Rh-Pt), -50 to 1 768 °C (-58 to 3 214 °F) (IEC60584)	± (0.15% oMR + 3.5 K (6.3 °F)) für -50 to 100 °C (-58 to 212 °F) ± (0.15% oMR + 1.5 K (2.7 °F)) from 100 °C (212 °F)
		Typ U (Cu-CuNi), -200 to 600 °C (-328 to 1 112 °F) (DIN 43710)	± (0.15% oMR + 1.5 K (2.7 °F)) from 100 °C (212 °F)
AD converter resolution		16 bit	
Temperature drift		Temperature drift: ≤ 0.01%/K (0.1%/18 °F) oMR ≤ 0.02%/K (0.2%/18 °F) oMR for Cu100, Cu50, Cu53, Pt50 and Pt46	

### Analog output:

Current	0/4 to 20 mA, overrange bis 22 mA	±0.05% of measuring range
	Max. load	500 Ω
	Max. inductivity	10 mH
	Max. capacity	10 µF
	Max. ripple	10 mVpp at 500 Ω, frequency < 50 kHz
Voltage	0 to 10 V, 2 to 10 V 0 to 5 V, 1 to 5 V Overrange: up to 11 V, shortcircuit proof, $I_{max} < 25$ mA	±0.05% of measuring range ±0.1 % of measuring range
	Max. ripple	10 mVpp at 1 000 Ω, frequency < 50 kHz
Resolution	13 bit	
Temperature drift	≤ 0.01%/K (0.1%/18 °F) of measuring range	
Galvanic isolation	Testing voltage of 500 V towards all other circuits	

## Installation

**Mounting location** Panel, cutout 92 x 45 mm (3.62 x 1.77 in) (see 'Mechanical construction').  
Max. panel thickness 26 mm (1 in).

**Orientation** No restrictions.  
The orientation is determined by the readability of the display.  
Max. viewing angle range +/- 45° from the central display axis in every direction.

---

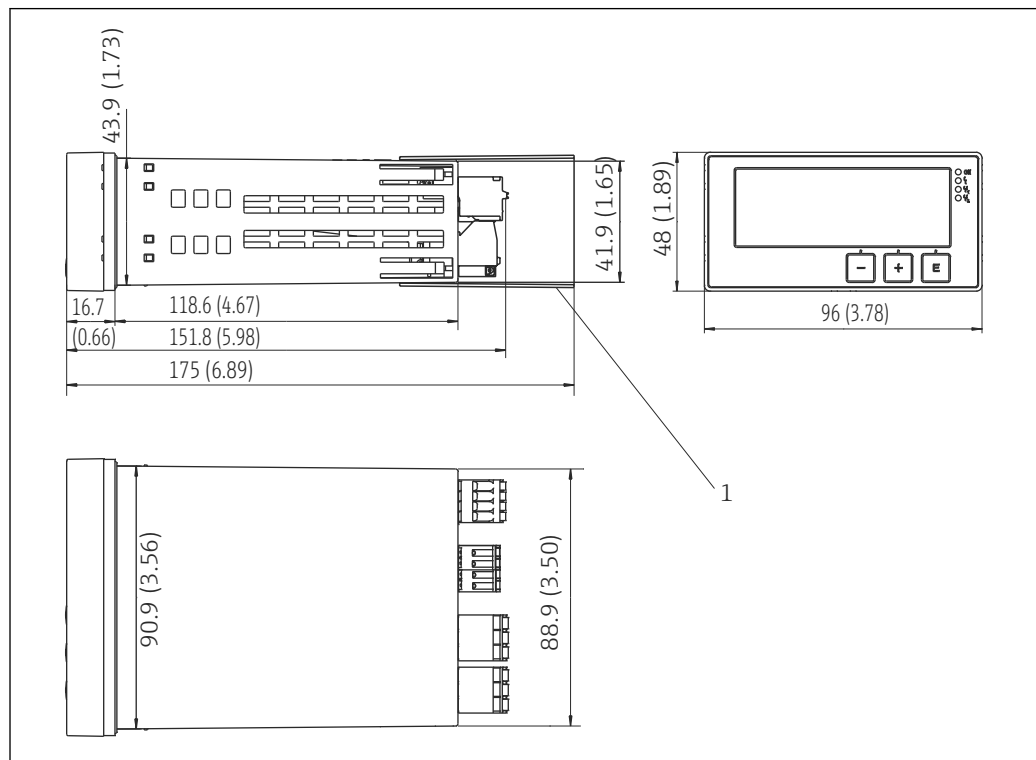
## Environment

---

<b>Ambient temperature range</b>	<b>NOTICE</b> <b>The life-time of the display is shortened when operated in the upper temperature range.</b> ▶ To avoid heat accumulation, always make sure the device is sufficiently cooled.  Non-Ex/Ex devices: -20 to 60 °C (-4 to 140 °F) UL devices: -20 to 50 °C (-4 to 122 °F)
<b>Storage temperature</b>	-40 to 85 °C (-40 to 185 °F)
<b>Operating height</b>	< 2 000 m (6 560 ft) above MSL
<b>Climate class</b>	As per IEC 60654-1, Klasse B2
<b>Degree of protection</b>	Front IP 65 / NEMA 4 (not evaluated by UL) Device casing/rear side IP 20
<b>Electrical safety</b>	Protection class I, overvoltage category II, pollution degree 2
<b>Condensation</b>	Front: permitted Device casing: not permitted
<b>Electromagnetic compatibility (EMC)</b>	<ul style="list-style-type: none"><li>■ Interference immunity: To IEC 61326 industrial environments / NAMUR NE 21</li><li>■ Interference emissions: To IEC 61326 Class A</li></ul>

## Mechanical construction

### Design, dimensions



A0010208

3 Dimensions of the panel meter in mm (in)

1 Distance piece for terminals (Ex option)

**Weight** Approximately 300 g (10.6 oz)

**Material** Housing: plastic PC-GF10

### Terminals

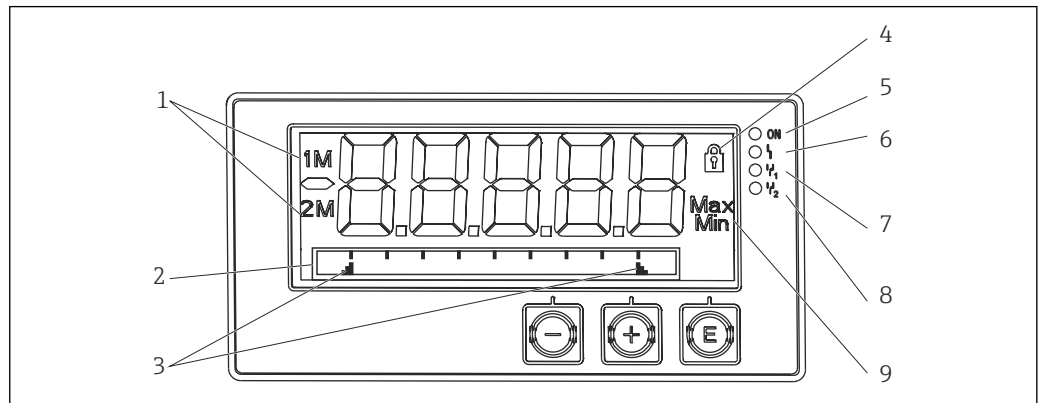
Spring terminals	
Relay / auxiliary voltage terminals	0.2 to 2.5 mm <sup>2</sup> (24 to 12 AWG)
Input / output terminals	0.2 to 1.5 mm <sup>2</sup> (24 to 16 AWG)

**Panel thickness** Max. 26 mm (1 in)



## Operability

### Local operation



A0010223

#### 4 Display of the panel meter

- 1 Channel display: 1: analog input 1; 2: analog input 2; 1M: calculated value 1; 2M: calculated value 2
- 2 Dot matrix display for TAG, bar graph and unit
- 3 Limit value indicators in the bar graph
- 4 "Operation locked" indicator
- 5 Green LED; measuring device operational
- 6 Red LED; error/alarm
- 7 Yellow LED; status of relay 1
- 8 Yellow LED; status of relay 2
- 9 Minimum/maximum value indicator

- Display
  - 5-digit, 7-segment backlit LC display
  - Dot matrix for text/bar graph
- Display range
  - 99999 to +99999 for measured values
- Signaling
  - Setup security locking (lock)
  - Measuring range overshoot/undershoot
  - 2 x status relay (only if relay option was selected)

#### Operating elements

3 keys: -, +, E

### Remote operation

#### Configuration

The device can be configured with the PC software or on site using the operating keys. FieldCare Device Setup is delivered together with the Commubox FXA291 or TXU10-AC (see 'Accessories') or can be downloaded free of charge from [www.endress.com](http://www.endress.com).

#### Interface

4-pin socket for the connection with a PC via Commubox FXA291 or TXU10-AC interface cable (see 'Accessories')

## Certificates and approvals

<b>CE mark</b>	The measuring system meets the legal requirements of the applicable EC guidelines. These are listed in the corresponding EC Declaration of Conformity together with the standards applied. Endress+Hauser confirms successful testing of the device by affixing to it the CE mark.
<b>EAC mark</b>	The product meets the legal requirements of the EEU guidelines. The manufacturer confirms the successful testing of the product by affixing the EAC mark.
<b>Ex approval</b>	Information about currently available Ex versions (ATEX, FM, CSA, etc.) can be supplied by your E+H Sales Center on request. All explosion protection data are given in a separate documentation which is available upon request.
<b>Overfill prevention</b>	WHG-compliant limit signal transmitter (optional)
<b>Functional safety</b>	SIL2 (optional)
<b>Marine approvals</b>	German Lloyd (GL, optional)
<b>UL</b>	UL recognized component (see <a href="http://www.ul.com/database">www.ul.com/database</a> , search by keyword "E225237")
<b>Other standards and guidelines</b>	<ul style="list-style-type: none"> <li>■ IEC 60529: Degrees of protection provided by enclosures (IP code)</li> <li>■ IEC 61010-1: Safety Requirements for Electrical Equipment for Measurement, Control and Laboratory Use</li> <li>■ EN 60079-11: Explosive atmospheres - Part 11: Equipment protection by intrinsic safety "I" (optional)</li> </ul>

## Ordering information

Detailed ordering information is available from the following sources:

- In the Product Configurator on the Endress+Hauser website: [www.endress.com](http://www.endress.com) -> Click "Corporate" -> Select your country -> Click "Products" -> Select the product using the filters and search field -> Open product page -> The "Configure" button to the right of the product image opens the Product Configurator.
- From your Endress+Hauser Sales Center: [www.addresses.endress.com](http://www.addresses.endress.com)



### Product Configurator - the tool for individual product configuration

- Up-to-the-minute configuration data
- Depending on the device: Direct input of measuring point-specific information such as measuring range or operating language
- Automatic verification of exclusion criteria
- Automatic creation of the order code and its breakdown in PDF or Excel output format
- Ability to order directly in the Endress+Hauser Online Shop

## Accessories

Various accessories, which can be ordered with the device or subsequently from Endress+Hauser, are available for the device. Detailed information on the order code in question is available from your local Endress+Hauser sales center or on the product page of the Endress+Hauser website: [www.endress.com](http://www.endress.com).

**Device-specific accessories****Miscellaneous***Extension relays*

	Order no.
Relay card incl. terminals	RIA45X-RA

*Extension to two-channel device*

	Order no.
Multifunction input card for channel 2 incl. terminals, non-Ex	RIA45X-IA
Multifunction input card for channel 2 incl. terminals, Ex-version	RIA45X-IB

**Communication-specific accessories**

Designation
Interface cable
Commubox TXU10 incl. FieldCare Device Setup and DTM Library
Commubox FXA291 incl. FieldCare Device Setup and DTM Library

**Supplementary documentation**

- System components and data manager - solutions to complete your measuring point:  
FA00016K/09
- Operating Instructions for process display unit RIA45: BA00272R/09
- Ex-related additional documentation:  
ATEX II(1)GD [Ex ia] IIC: XA00076R/09
- SIL Safety Manual:  
SD00014R/09

[www.addresses.endress.com](http://www.addresses.endress.com)

---